

# Ulisse Enhanced PTZ 2 Series

## Flexible illumination options

2 MP

The Ulisse Enhanced PTZ 2 is a PTZ camera for mission-critical applications. This security camera is built to withstand outdoor environments while maintaining continuous clear, high-resolution live and recorded video, with up to 2 MP and 40x zoom. Its flexible illumination options provide outstanding image clarity in any lighting condition, delivering exceptional forensic detail and powerful deterrent capabilities. Ulisse Enhanced PTZ 2 is built with Smart Analytics equipped with ONVIF Profile S, G, T and M, and is NDAA-compliant, allowing for open connectivity with leading video management systems. Built for industrial applications, the Ulisse Enhanced PTZ 2 is the perfect solution for monitoring cities, ports, manufacturing plants and enterprise facilities.



## Features



### Outdoor-ready

Safely operate within a wide temperature range from -40°C to 65°C (-40°F to 158°F), combined with IP66 and Type 4X ingress protection.



### Choice of illumination

Choose between long range of IR illumination or a combination of IR and white light illumination.



### True Wide Dynamic Range

Captures high-quality image details in scenes with dark and light backgrounds.



### Low light technology

Offers excellent image detail in low-light settings.



### H.264 and H.265 with Smart Compression

Retains high image quality and optimizes compression levels to minimize bandwidth and storage needs.



### Pelco Smart Analytics

Enhanced object detection and classification for quicker, decisive responses.



### ONVIF® Conformant

ONVIF Profile S, G, T and M conformance for easy integration with any third-party VMS.



### Peace of mind

We back these cameras with a 3-year warranty, extendable to 5 years.

ONVIF is a trademark of Onvif, Inc.

# Specifications

Image Performance		2.0 MP
Image Sensor	1/2.8" progressive scan CMOS	
Active Pixels (H x V)	1937 (H) × 1097 (V)	
Imaging Area (H x V)	5.568 mm (H) × 3.132 mm (V); 0.219" (H) × 0.123" (V)	
Minimum Illumination	0.03 lux (F/1.6) in color mode; 0.02 lux (F/1.6) in monochrome	
Dynamic Range	120 dB	
Image Rate	Up to 60 fps	
Aspect Ratio (Resolution Scaling)	Down to (16:9) 384×216 or (5:4) 320×256	
3D Noise Reduction Filter	Yes	

Lens		2.0 MP
Lens	4.25 to 170 mm, F/1.6 - F/4.95, autofocus	
Angle of View	Horizontal	66.35° - 1.9°
	Vertical	39.99° - 1.11°
Zoom	Up to 40x	

Image Control		2.0 MP
Video Compression	H.264 and H.265 Pelco Smart Compression, Motion JPEG	
Streaming	Multi-stream H.264, Multi-stream H.265, Motion JPEG	
Motion Detection	Pixel motion: Selectable sensitivity and threshold. Classified object detection	
Electronic Shutter Control	Automatic, Manual (1/1 to 1/10,000 sec)	
Iris Control	Automatic, Open, Closed	
Day/Night Control	Automatic, Manual	
Flicker Control	60 Hz, 50 Hz	
White Balance	Automatic, Manual	
Backlight Compensation	On/Off	
Privacy Zones	3D, up to 64 zones	
Presets	500 named presets	
Tours	10 named tours	
Digital Zoom	Up to 100x	
Electronic Image Stabilization	Yes	
Digital Defog	Adjustable/Off	

Illuminator Max Distance - Single Light Source			
DPN	Description	Two illuminators	Field of view details
UPTIRN108A00	IR850 10°	300 m	Far objects <sup>1</sup>
UPTIRN308A00	IR850 30°	210 m	Medium objects <sup>2</sup>
UPTIRN608A00	IR850 60°	210 m	Close objects <sup>3</sup>
UPTIRN109A00	IR940 10°	130 m	Medium objects <sup>2</sup>
UPTIRN309A00	IR940 30°	70 m	Close objects <sup>3</sup>
UPTIRN10WA00	WHITE 10°	190 m	Far objects <sup>1</sup>
UPTIRN30WA00	WHITE 30°	130 m	Medium objects <sup>2</sup>
UPTIRN60WA00	WHITE 60°	85 m	Close objects <sup>3</sup>

## Illuminator Max Distance - Dual Mode

DPN	Description	IR850 + White Light	Field of view details
UPTIRN108A00	IR850 10°	110 m	Far objects <sup>1</sup>
UPTIRN10WA00	WHITE 10°		
UPTIRN308A00	IR850 30°	110 m	Medium objects <sup>2</sup>
UPTIRN30WA00	WHITE 30°		
UPTIRN608A00	IR850 60°	110 m	Close objects <sup>3</sup>
UPTIRN60WA00	WHITE 60°		

<sup>1</sup>Suitable to far objects. Close subjects could result over-exposed.

<sup>2</sup>Suitable for medium distance objects.

<sup>3</sup>Suitable to close objects. Suitable wide fields of views.

## Network

Network	100BASE-TX
Cabling Type	CAT5e/CAT6 shielded (STP) Ethernet cable is required to fully comply with EMC regulatory standards
Connector	RJ-45
ONVIF	ONVIF compliance Profile G, Profile M, Profile S and Profile T ( <a href="http://www.onvif.org">www.onvif.org</a> )
Security	Password protection, HTTPS encryption, digest authentication, WS authentication, user access log, 802.1x port based authentication
Protocols	IPv4, HTTP, Bonjour, DNS, NTP, RTSP, RTP, TCP, UDP, IGMP, RTCP, ICMP, DHCP, ARP,
Streaming Protocols	RTP/UDP, RTP/UDP multicast, RTP/RTSP/TCP, RTP/RTSP/HTTP/TCP, RTP/RTSP/HTTPS/TCP, HTTP
Device Management Protocols	SNMP v2c, SNMP v3

## Peripherals

Audio Input/Output	None
External I/O Terminals	4 Alarm In, 2 Alarm Out
Onboard Storage	MicroSD/microSDHC/microSDXC slot - video speed class card required. Class V10 or better recommended.

## Mechanical

Body	Aluminum and technopolymer	
Finish	Epoxy-polyester powder painted, close to RAL9002	
Horizontal Rotation	360°, continuous rotation	
Vertical Rotation	From -40° up to +90°	
Horizontal Speed	From 0.02°/s up to 50°/s	
Tilt Speed	From 0.02°/s up to 50°/s	
Accuracy Of Preset Positions	0.02°	
Weight	Camera	19.5 kg; 43 lbs
	Camera With LED Illuminators	Ulisse Enhanced 2 + 2 UPTIRN +UPTIRN bracket: 23.8Kg; 52.5 Lbs
Cable Glands	2xM20 + 1xM16	

## Electrical

Power Consumption	34W, P&T static, heating switched off 49W, P&T in motion, heating switched off 97W, P&T in motion, heating switched on, illuminators off 157W, P&T in motion, heating switched on, illuminators on
Supply Voltage/Current Consumption	230Vac ±10%, 1.1A, 50/60Hz
	24Vac ±10%, 10A, 50/60Hz
	120Vac ±10%, 2A, 50/60Hz

## Electrical

Signal Cable Section	From 0.5mm <sup>2</sup> (20AWG) up to 1.5mm <sup>2</sup> (16AWG)
----------------------	--

## Environmental

Operating Temperature	From -40 °C to +65 °C (-40 °F to 149 °F)
De-icing Function Intervention	From -40 °C to -10 °C (-40 °F to 14 °F)
Humidity	From 10% up to 95% (no condensation)
Housing Climate Control	Built-in heater and fan
Wind Resistance	SP&T static: 220km/h (136mph) max P&T in motion, at the maximum speed, with LED illuminators: 140km/h (87mph) max

## Certifications

Certifications/Directives	UL,cUL,CE,UKCA,ROHS
Electrical Safety (CE)	EN62368-1, IEC62368-1, UL 62368-1, CSA 62368-1
Electromagnetic Compatibility (CE)	EN61000-6-4, EN61000-3-2, EN61000-3-3, EN61000-6-1, EN50130-4, EN55035, EN55032 Class A, FCC Part 15 Class A, ICES-003 Class A
Outdoor Installation (CE)	EN62368-1, IEC62368-1
IP Protection Degree (EN60529)	IP66
Salty Fog Resistance	EN50130-5, EN60068-2-52
UL Certification	cULus Listed,TYPE 4X
NDAA Compliant	Yes

# Analytics Specifications

## Supported Analytics Events\*

Objects in Area	The event is triggered when the selected object type moves into the region of interest.
Object Loitering	The event is triggered when the selected object type moves into the region of interest, then stays for an extended amount of time.
Objects Crossing Beam	The event is triggered when the specified number of objects have crossed the directional beam that is configured over the camera's field of view. The beam can be unidirectional or bidirectional.
Object Appears or Enters Area	The event is triggered by each object that enters the region of interest and can also be used to count objects.
Object Not Present in Area	The event is triggered when no objects are present in the region of interest.
Objects Enter Area	The event is triggered when the specified number of objects have entered the region of interest.
Objects Leave Area	The event is triggered when the specified number of objects have left the region of interest.
Object Stops in Area	The event is triggered when an object moves into a region of interest and then stops moving for the specified threshold time.
Direction Violated	The event is triggered when an object moves in the prohibited direction of travel.
Sabotage Detection	The event is triggered when the scene unexpectedly changes.

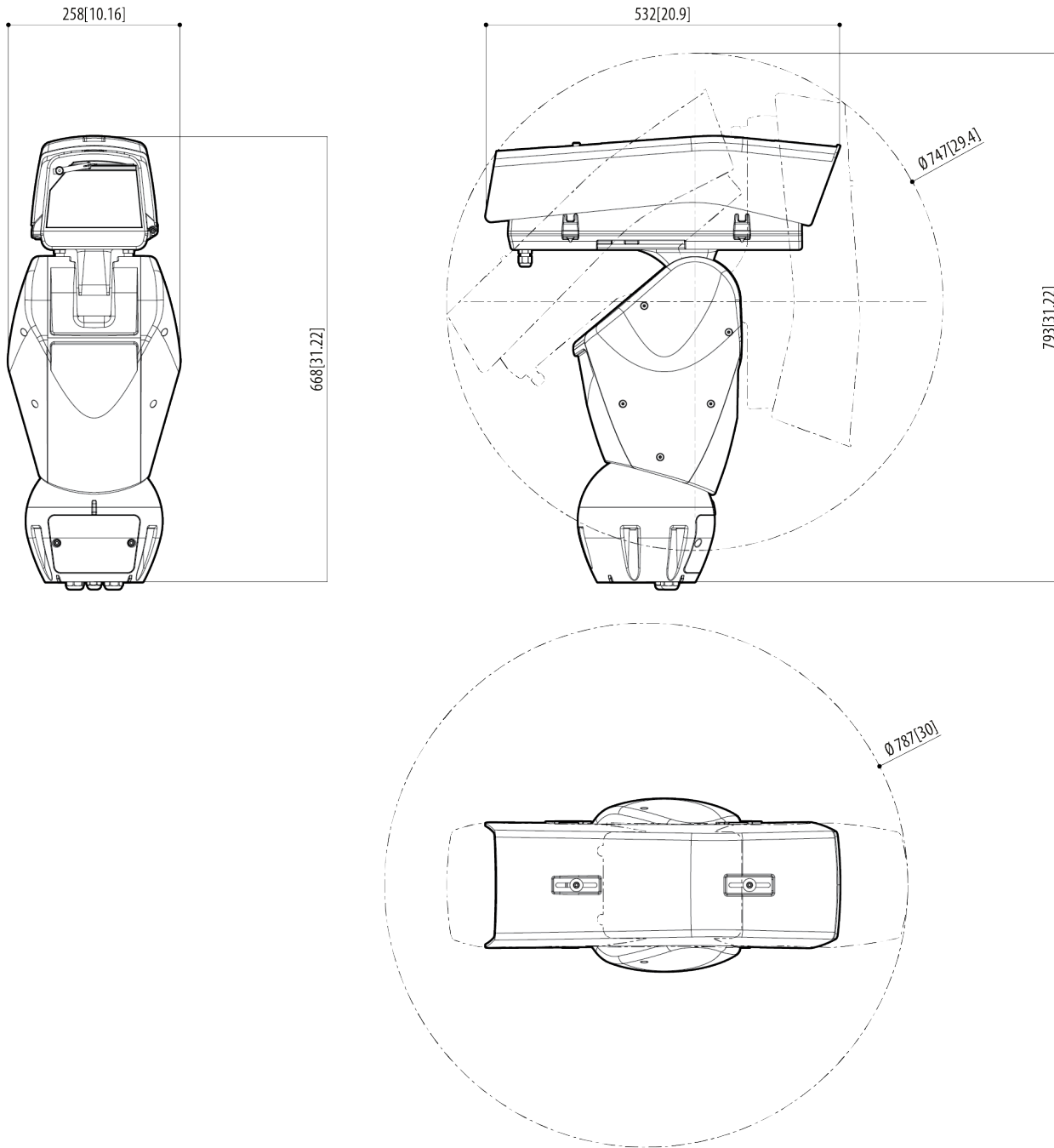
\*Pelco Smart Analytics powered by Motorola Solutions.

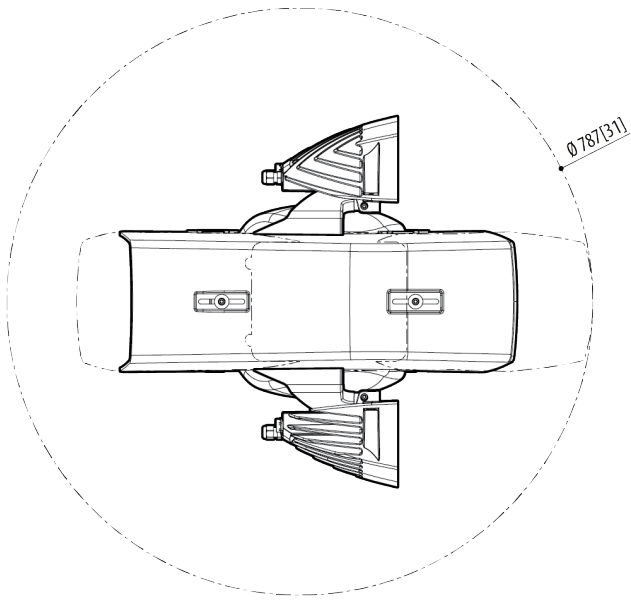
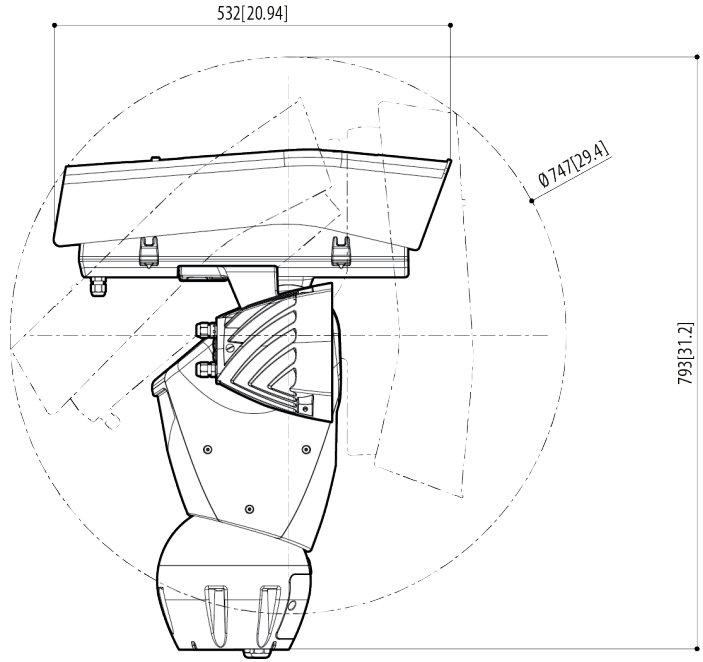
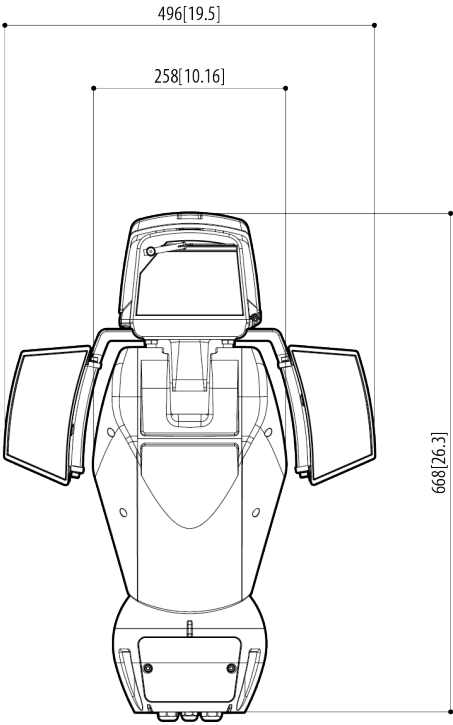
# Outline Dimensions

## Ulisse Enhanced PTZ 2 Series

(UPTB1MWA00A, UPTB2MWA00A, UPTB3MWA00A)

[X.X]	INCHES
X	MM





# Ordering Information

## PTZ CAMERAS

	Power supply	MP	WDR	Lightcatcher Technology	Analytics at Home Position	Lens	Zoom	IP66	HDSM Smartcode
UPTB1MWA00A	230 Vac	2.0	✓	✓	✓	4.25-170 mm	40x	✓	✓
UPTB2MWA00A	24 Vac	2.0	✓	✓	✓	4.25-170 mm	40x	✓	✓
UPTB3MWA00A	120 Vac	2.0	✓	✓	✓	4.25-170 mm	40x	✓	✓

## PTZ CAMERA ACCESSORIES

Accessory	Description
UPTIRNBKT	Support for mounting of UPTIRN range of LED illuminators
UPTIRN108A00	LED illuminator for ULISSE, 10°, 850nm, 24Vac - 12/24Vdc
UPTIRN308A00	LED illuminator for ULISSE, 30°, 850nm, 24Vac - 12/24Vdc
UPTIRN608A00	LED illuminator for ULISSE, 60°, 850nm, 24Vac - 12/24Vdc
UPTIRN109A00	LED illuminator for ULISSE, 10°, 940nm, 24Vac - 12/24Vdc
UPTIRN309A00	LED illuminator for ULISSE, 30°, 940nm, 24Vac - 12/24Vdc
UPTIRN10WA00	LED illuminator for ULISSE, 10°, white light, 24Vac - 12/24Vdc
UPTIRN30WA00	LED illuminator for ULISSE, 30°, white light, 24Vac - 12/24Vdc
UPTIRN60WA00	LED illuminator for ULISSE, 60°, white light, 24Vac - 12/24Vdc
UPTWBA	Wall bracket with internal cable channel
UPTWB TAB	Parapet bracket with internal cable channel
PTCC1	Pole mount adaptor
WCWGC	Corner mount adaptor
UPTJBUL	Junction weatherproof box for cables connexion (according UL norm)
WASPT0V5L5M00	Washer 5l, 5m, 230Vac-24Vac-120Vac
WASPT0V23L11M00	Washer 23l, 11m, 230Vac-24Vac-120Vac
WASPT1V23L30M00	Washer 23l, 30m, water float, 230Vac
WASPT3V23L30M00	Washer 23l, 30m, water float, 120Vac
COMB100A	Comm. box, w PS & Switch, 220-230Vac
COMB200A	Comm. box, w PS & Switch, 24Vac
COMB300A	Comm. box, w PS & Switch, 120-127Vac

# Support

Learn more and find additional documentation at [pelco.com](https://pelco.com) or email [support@pelco.com](mailto:support@pelco.com) for specific product support.



Feb 2024 | | Rev 1

© 2024, Motorola Solutions, Inc. All rights reserved. MOTOROLA, MOTO, MOTOROLA SOLUTIONS, and the Stylized M Logo are trademarks or registered trademarks of Motorola Trademark Holdings, LLC and are used under license. Pelco, the Pelco logo, and other trademarks associated with Pelco products referred to in this publication are trademarks of Pelco, Inc. or its affiliates. All other product names and services are the property of their respective companies. Product specifications and availability are subject to change without notice.